

VPM-7304

4-port MPEG4/MJPEG video encoder module for the VPort 700 series



- > 4-channel video input
- > Video streams up to 120 frames/second at CIF resolution
- > Dual codec with MJPEG and MPEG4
- > 2-way (1 in, 1 out) audio supported
- > 1 RS-232/422/485 PTZ port
- > 4 digital inputs, 1 relay output

Note: The VPM-7304 module must be used with a VPort 700 series industrial multi-service gateway.



Specifications

Video

Video Compression: MJPEG or MPEG4 (ISO/IEC 14496-2)

Video Inputs: 4, BNC connector (1.0 Vpp, 75 ohms)

NTSC/PAL: Auto-sensing or manual

Video Resolution and FPS (frames per second):

	NTSC		PAL	
	Size	Max. FPS	Size	Max. FPS
QVGA	320 x 240	30	320 x 288	25
CIF	352 x 240	30	352 x 288	25
VGA	640 x 480	7	640 x 576	7
4CIF	704 x 480	7	704 x 576	7
Full D1	720 x 480	7	720 x 576	7

Video Viewing: Adjustable image size and quality

Audio

Audio Inputs: 1 Line-in or MIC-in with 3.5 mm phone jack

Audio Outputs: 1 Line-out with 3.5 mm phone jack

Audio Format: Mono, PCM

Network

Protocols: TCP, UDP, HTTP, SMTP, FTP, NTP, DNS, DHCP, UPnP, RTP, RTSP, ICMP, IGMPv3, SNMPv1/v2c/v3, DDNS, Modbus/TCP

Serial Port

PTZ Ports: 1, RS-232/422/485 port (terminal block connector), max. speed of 115.2 Kbps

GPIO

Digital Inputs: 4, max. 8 mA

High: +13 to +30 V; Low: -30 to +3 V

Relay Outputs: 1, max. 24 VDC @ 1 A

LED Indicators

STAT: Indicates if the system boots properly or not

FAULT: Can be configured to correspond to system alarm, power failure, video loss, or disconnected network

Power Requirements

Power Consumption: 7.2 W

Physical Characteristics

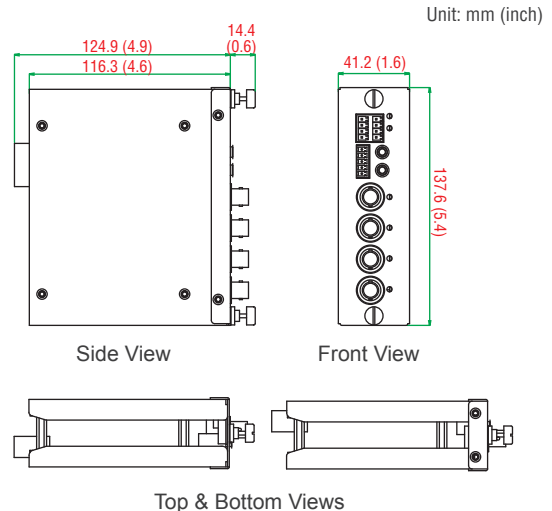
Housing: Metal

Dimensions: 41 x 138 x 139 mm (1.61 x 5.43 x 5.47 in)

Weight: 560 g

Installation: Mounted in a VPort 700 series slot

Dimensions



Ordering Information

Available Models

VPM-7304: 4-channel MPEG4/MJPEG video encoder module

Package Checklist

- VPM-7304 video encoder module
- Documentation and software CD